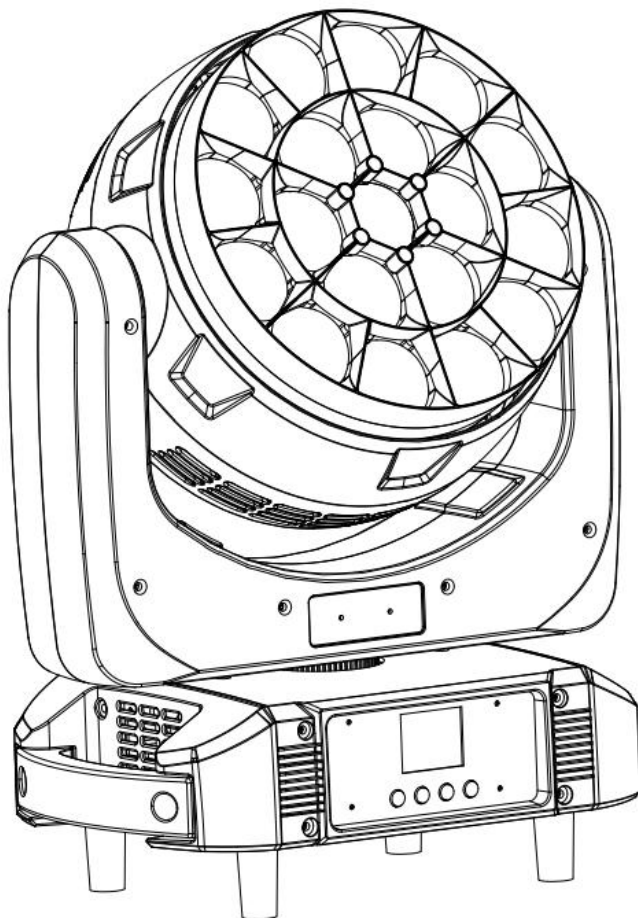

Wash Zoom 19*20w moving head



User manual

Please read the instructions carefully before us

TABLE OF CONTENTS

| | |
|----------------------------------|-------|
| 1. Safety Instructions | 3 - 4 |
| 2. Technical Specifications..... | 4-5 |
| 3. How To Control The Unit..... | 6-8 |
| 4. DMX Channel List..... | 9- 14 |
| 5. Shape..... | 15 |
| 6.Trouble shooting..... | 15-16 |
| 7.Fixture Cleaning..... | 16 |

statement

The product has well capability and intact packing when leave factory. All of the user should comply with warning item and manual, any misuse cause of the damages are not included in our guarantee, and also can't be responsible for any malfunction & problem owing to ignore the manual.

1. Safety Instructions

Please keep this User Guide for future consultation. If you sell the unit to another user, be sure that they also receive this instruction booklet.

- Unpack and check carefully there is no transportation damage before using the unit.
- Before operating, ensure that the voltage and frequency of power supply match the power requirements of the unit.
- It's important to ground the yellow/green conductor to earth in order to avoid electric shock.
- The unit is for indoor use only. Use only in a dry location.
- The unit must be installed in a location with adequate ventilation, at least 50 cm from adjacent surfaces. Be sure that no ventilation slots are blocked.
- Disconnect main power before replacement or servicing.
- Make sure there are no flammable materials close to the unit while operating as it is fire hazard.
- Use safety cable when fixes this unit. Do not handle the unit by taking its head only, but always by taking its base.
- Maximum ambient temperature is T_a : 40°C. Do not operate it where the temperature is higher than this Unit surface temperature may reach up to 85°C. Do not touch the housing bare-hand during its operation. Turn off the power and allow about 15 minutes for the unit to cool down before replacing or serving.
- the event of serious operating problem, stop using the unit immediately. Never try to repair the unit by yourself. Repairs carried out by unskilled people can lead to damage or malfunction. Please contact the nearest authorized technical assistance center. Always use the same type spare parts.
- Do not touch any wire during operation as high voltage might be causing electric shock.

Warning:

- To prevent or reduce the risk of electrical shock or fire, do not expose the unit to rain or moisture.
- Do not open the unit within five minutes after switching off.
- The housing, the lenses, or the ultraviolet filter must be replaced if they are visibly damaged.

Caution:

There are no user serviceable parts inside the unit. Do not open the housing or attempt any repairs yourself. In the unlikely event your unit may require service, please contact your nearest dealer.

Installation:

The unit should be mounted via its screw holes on the bracket. Always ensure that the unit is firmly fixed to avoid vibration and slipping while operating. And make sure that the structure to which you are attaching the unit is secure and is able to support a weight of 10 times of the unit's weight. Also always use a safety cable that can hold 12 times of the weight of the unit when installing the fixture.

The equipment must be fixed by professionals. And it must be fixed at a place where is out of the touch of people.

2. Technical Specifications

Light Sources: 19*20W 4IN1 RGBW LED

Average life span> 50000 hours

Beam Angle:5.8°- 55°

Glass light guide + PMMA high quality optical lens

Power Consumption: 350w

Power factor PF≥0.95

Working temperature: -10℃~45℃

Power Voltage: AC 100-240V, 50/60Hz

Dimension: 338*254*37.5mm

Net Weight: 8.5kgs

Carton package 1in1 size: 42*34*46cm

Carton package 1in2 size: 69*44*48cm

Control

DMX Channel:19/27 Channels

Control Modes: DMX512/master-Slave/Auto Run/Music

Pan/Tilt

Pan: 540°/ 360°, Tilt: 270°

Pan/Tilt Resolution: 8/16 bit

Construction

Display:180° reversible 1.8 inch TFT colorful Display

Data In/Out socket: 3-pin & 5-pin XLR sockets

Power Socket: Power Con in/out

Protection Rating: IP20

Features

Circle control effects, 3 circle control.

High-efficiency optical system, wonderful flower effect plus zoom

Fan work speed auto adjustable with head temperatur

3. How To Control The Unit



Menu

Up

Down

Enter

Display:

| | |
|-------|--|
| MENU | To select the programming functions |
| DOWN | To go backward in the selected functions |
| UP | To go forward in the selected functions |
| ENTER | To confirm the selected functions |

Set DMX Address Code

- 1 Press **"Menu"** to "Set DMX Address", and press **"ENTER"** keys to enter into
- 2 Show "Set DMX Address DMX Address:001", Press the **"UP and DOWN"** keys to amended
- 3 Press **"ENTER"** keys to save and Exit, Press the **"MENU"** Keys does not save and Exit

| | | | |
|-------------|-----------------------------|----------------------|--|
| Menu | 1.Pan Degree | 1) 540 ° , 2)360° | X-axis running angle selection |
| | 2.Mic Sense | 001 - 100 | Sound sensitivity adjustment |
| | 3.Language | English | Chinese |
| | 4.No Signal | 1.Black Out 2.Hold | Set the state when the machine has no signal input |
| | 5.Fan Set | 1.Auto 2. Low 3.High | Set fan speed |
| | 6.Reset | Yes | No |
| | 7.Default | Yes | No |
| Menu | 8.Adjust | Pass Word: **** | |
| | | Pan | 0 - 255 |
| | 8.Adjust | Tilt | 0 - 255 |
| | | Focus | 0 - 255 |
| | | Red | 0 - 255 |
| | | Green | 0 - 255 |
| | | Blue | 0 - 255 |
| | | White | 0 - 255 |
| Address | Setting from 001 - 512 | | |
| Reverse | Forward or reversed setting | Pan | 1.Yes |
| | | | 2.No |
| | | Tilt | 1.Yes |
| | | | 2.No |
| Display | 1.Yes | | |
| | 2.No | | |
| Information | 1.CH Value | | Each channel show CH value |
| | 2.Temp ____°C | | Show the temperature of led board |

| | | | |
|---------|--------|---------------|-------------------------|
| | | 3.Soft V.XXX | Show the version number |
| Channel | | 19 channels | |
| | | 27 channels | |
| Mode | | DMX 512 | |
| | | AUTO | |
| | | SOUND | |
| | | Manual | |
| Manual | Master | Pan: 0--255 | Manual Control |
| | | Tilt:0--255 | |
| | | Focus:0--255 | |
| | | Rota:0-255 | |
| | Alone | Red: 0--255 | |
| | | Greed: 0--255 | |
| | | Blue: 0--255 | |
| | | White: 0--255 | |
| | | Strobe: 0-255 | |

4.DMX Channel List

Model 1 - CH19

| Channel | Display | Function | Value |
|---------|----------------|----------------|-----------|
| CH-1 | Pan adjustment | Pan adjustment | 0 --- 255 |
| CH-2 | Pan adjustment | Pan adjustment | 0 --- 255 |

| | | | |
|-------|-----------------|---------------------|-------------|
| CH-3 | Tilt adjustment | Tilt adjustment | 0 --- 255 |
| CH-4 | Tilt adjustment | Tilt adjustment | 0 --- 255 |
| CH-5 | Pan/Tilt speed | from fast to slow | 0 --- 255 |
| CH-6 | Strobe | No | 0 --- 15 |
| | | From slow to fast | 16 --- 214 |
| | | Random strobe | 215 --- 255 |
| CH-7 | Dimming | From dark to bright | 0 --- 255 |
| CH-8 | Dimming Model | Model -1 | 0 --- 49 |
| | | Model -2 | 50 --- 99 |
| | | Model -3 | 100 --- 149 |
| | | Model -4 | 150 --- 255 |
| CH-9 | Zoom | from near to far | 0 --- 255 |
| CH-10 | Red | From dark to bright | 0 --- 255 |
| CH-11 | Green | | 0 --- 255 |
| CH-12 | Blue | | 0 --- 255 |
| CH-13 | White | | 0 --- 255 |
| CH-14 | Static color | | No |
| | | R 100%,G up,B 0% | 16----35 |
| | | R down,G 100%,B 0% | 36----55 |
| | | R 0%, G 100%, B up | 56----75 |
| | | R 0%, G100%, B up | 76----95 |
| | | R up, G0%, B100% | 96----115 |
| | | R 100%, G0%, B down | 116----135 |
| | | R 100%, G up, B up | 136----155 |

| | | | | |
|-------|--------------|--|--------------------------------|-------------|
| CH-14 | Static color | | R down G down, B 100% | 156----175 |
| | | | R 100%, G 100%, B 100%, W 100% | 176----195 |
| | | | 2800K | 196----200 |
| | | | 3200K | 201----205 |
| | | | 3500K | 206----210 |
| | | | 4000K | 211----215 |
| | | | 4500K | 216----220 |
| | | | 5000K | 221----225 |
| | | | 5500K | 226----230 |
| | | | 6000K | 231----235 |
| | | | 6500K | 236----240 |
| | | | 7000K | 241----245 |
| | | | 7500K | 246----250 |
| | | | 8000K | 251----255 |
| CH-15 | Effects | | No | 0 --- 9 |
| | | | 3 numbers 1 effect | 10 --- 99 |
| | | | Jump | 100 --- 149 |
| | | | gradual change | 150 --- 255 |
| CH-16 | Zone | | No | 0 --- 19 |
| | | | Zone -1 | 20 --- 39 |
| | | | Zone -2 | 40 --- 59 |
| | | | Zone -3 | 60 --- 79 |
| | | | Zone -4 | 80 --- 99 |

| | | | | |
|-------|-------------------|------------------------------|-------------|-------------|
| CH-16 | Zone | | Zone -5 | 100 --- 119 |
| | | | Zone -6 | 120 --- 139 |
| | | | Zone -7 | 140 --- 159 |
| | | Automatically transform zone | Zone-8 | 160 --- 179 |
| | | | Zone -9 | 180 --- 199 |
| | | | Zone -10 | 200 --- 219 |
| | | | Zone -11 | 220 --- 255 |
| CH-17 | Zone change speed | Zone 7 --- Zone 11 | 0 --- 255 | |
| CH-18 | Zone change fade | Zone 7 --- Zone 11 | 0 --- 255 | |
| CH-19 | Reset | No | 0 --- 79 | |
| | | Reset | 80 --- 99 | |
| | | No | 100 --- 255 | |

Model 2 - CH27

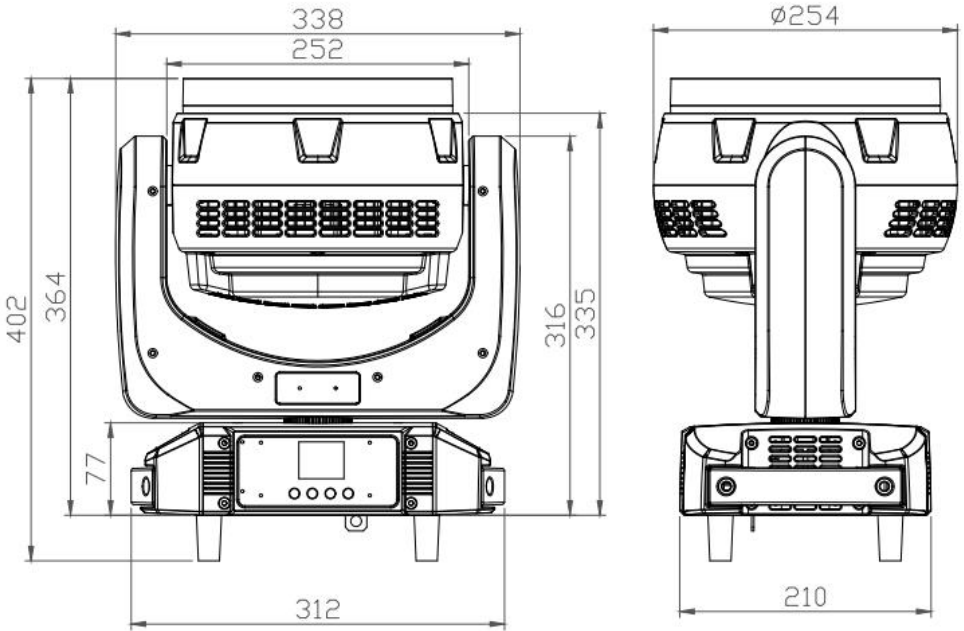
| Channel | Display | Function | Value |
|---------|-----------------|-------------------|-------------|
| CH-1 | Pan adjustment | Pan adjustment | 0 --- 255 |
| CH-2 | Pan adjustment | Pan adjustment | 0 --- 255 |
| CH-3 | Tilt adjustment | Tilt adjustment | 0 --- 255 |
| CH-4 | Tilt adjustment | Tilt adjustment | 0 --- 255 |
| CH-5 | Pan/Tilt speed | from fast to slow | 0 --- 255 |
| CH-6 | Strobe | No | 0 --- 15 |
| | | From slow to fast | 16 --- 214 |
| | | Random strobe | 215 --- 255 |

| | | | |
|-------|---------------|---------------------|-------------|
| CH-7 | Dimming | From dark to bright | 0 --- 255 |
| CH-8 | Dimming Model | Model -1 | 0 --- 49 |
| | | Model -2 | 50 --- 99 |
| | | Model -3 | 100 --- 149 |
| | | Model -4 | 150 --- 255 |
| CH-9 | Zoom | from near to far | 0 --- 255 |
| CH-10 | Red-1 | From dark to bright | 0 --- 255 |
| CH-11 | Green-1 | | |
| CH-12 | Blue-1 | | |
| CH-13 | White-1 | | |
| CH-14 | Red-2 | | |
| CH-15 | Green-2 | | |
| CH-16 | Blue-2 | | |
| CH-17 | White-2 | | |
| CH-18 | Red-3 | | |
| CH-19 | Green-3 | | |
| CH-20 | Blue-3 | | |
| CH-21 | White-3 | | |
| CH-22 | Static color | No | 0----15 |
| | | R 100%, G up, B0% | 16----35 |
| | | R down, G 100%, B0% | 36----55 |
| | | R 0%, G 100%, B up | 56----75 |
| | | R 0%,G down,B 100% | 76----95 |
| | | R up, G0%, B100% | 96----115 |

| | | | |
|-------|--------------|--------------------------------|-------------|
| CH-22 | Static color | R 100%, G0%, B down | 116----135 |
| | | R 100%,G up, B up | 136----155 |
| | | R down, G down, B 100% | 156----175 |
| | | R 100%, G 100%, B 100%, W 100% | 176----195 |
| | | 2800K | 196----200 |
| | | 3200K | 201----205 |
| | | 3500K | 206----210 |
| | | 4000K | 211----215 |
| | | 4500K | 216----220 |
| | | 5000K | 221----225 |
| | | 5500K | 226----230 |
| | | 6000K | 231----235 |
| | | 6500K | 236----240 |
| | | 7000K | 241----245 |
| | | 7500K | 246----250 |
| 8000K | 251----255 | | |
| CH-23 | Effects | No | 0 --- 9 |
| | | 3 numbers 1 effect | 10 --- 99 |
| | | Jump | 100 --- 149 |
| | | gradual change | 150 --- 255 |
| CH-24 | Zone | No | 0 --- 19 |
| | | Zone -1 | 20 --- 39 |
| | | Zone -2 | 40 --- 59 |

| | | | |
|-------|------------------------------|--------------------|-------------|
| CH-24 | Zone | Zone -3 | 60 --- 79 |
| | | Zone -4 | 80 --- 99 |
| | | Zone -5 | 100 --- 119 |
| | | Zone -6 | 120 --- 139 |
| | Automatically transform zone | Zone -7 | 140 --- 159 |
| | | Zone -8 | 160 --- 179 |
| | | Zone -9 | 180 --- 199 |
| | | Zone -10 | 200 --- 219 |
| | | Zone -11 | 220 --- 255 |
| CH-25 | Zone change speed | Zone 7 --- Zone 11 | 0 --- 255 |
| CH-26 | Zone change fade | Zone 7 --- Zone 11 | 0 --- 255 |
| CH-27 | Reset | No | 0 --- 79 |
| | | Reset | 80 --- 99 |
| | | No | 100 --- 255 |

5. Shape



6. Trouble shooting

Following are a few common problems that may occur during operation. Here are some suggestions for easy troubleshooting:

A. The unit does not work, no light and the fan does not work

1. Check the connection of power and main fuse.
2. Measure the mains voltage on the main connector.
3. Check the power on LED.

B. Not responding to DMX controller

1. DMX LED should be on. If not, check DMX connectors, cables to see if link

properly.

2. If the DMX LED is on and no response to the channel, check the address settings and DMX polarity.
3. If you have intermittent DMX signal problems, check the pins on connectors or on PCB of the unit or the previous one.
4. Try to use another DMX controller.
5. Check if the DMX cables run near or run alongside to high voltage cables that may cause damage or interference to DMX interface circuit.

C. One of the channels is not working well

1. The stepper motor might be damaged or the cable connected to the PCB is broken.
2. The motor's drive IC on the PCB might be out of condition.

7. Fixture Cleaning

The cleaning of internal and external optical lenses and/or mirrors must be carried out periodically to optimize light output. Cleaning frequency depends on the environment in which the fixture operates: damp, smoky or particularly dirty surrounding can cause greater accumulation of dirt on the unit's optics.

- **Clean with soft cloth using normal glass cleaning fluid.**
- **Always dry the parts carefully.**
- **Clean the external optics at least every 20 days. Clean the internal optics at least every 30/60 days.**