

S450W- BEAM MOVING HEAD LIGHT

USER MANUAL

(TFT DISPLAY & TOUCH)



Please read over this manual before operating the light

CONTENTS

Chapter 1	Installation and attention	3
1.1	Maintenance	3
1.2	Statement	3
1.3	Safety Precaution	3
1.4	Product Instruction	3
1.5	Cable connection (DMX)	4
1.6	Rigging (Optional)	4
Chapter 2	Panel operation	错误! 未定义书签。
2.1	Brief	错误! 未定义书签。
2.2	Operation	错误! 未定义书签。
2.2.1	Operate light with touch or KEY	错误! 未定义书签。
2.2.2	Parameter value setting	错误! 未定义书签。
2.2.3	Boolean parameter setting	错误! 未定义书签。
2.2.4	Sub Menu (Parameter)	错误! 未定义书签。
2.3	Operation and parameter instruction	错误! 未定义书签。
2.3.1	ADDR--> Address: Set DMX Address	错误! 未定义书签。
2.3.2	MODE--> WorkMode: Set Light work mode	错误! 未定义书签。
2.3.3	DISP-->DISPLAY: Set display	错误! 未定义书签。
2.3.4	TEST--> TestMode	错误! 未定义书签。
2.3.5	ADVA-->Advanced: Set light run parameter	错误! 未定义书签。
2.3.6	STAT-->Status: View status	错误! 未定义书签。
Chapter 3	Channel description	12
3.1	Channel table	12

Chapter 1 Installation and attention

1.1 Maintenance

- To reduce the risk of electrical shock or fire, do not expose this unit to rain or moisture.
- Intermittently using will extend this item's service life.
- Please clear the fan, fan net , and optical lens in order to keep good work state.
- Do not use the alcohol or any other organic solvent to wipe the shell.

1.2 Statement

The product has perfect performance and integrity packing. All users should be strictly complying with the warning and operating instructions as stated. Or we aren't in charge of any result by misuse. Any damage resulting by misuse is not within the Company's warranty. Any fault or problem caused by neglecting the manual is also not in the charge of dealers.

Note: All information is subject to change without prior notice.

1.3 Safety Precaution

- In order to guarantee the product's life, please don't put it in the damp places or even the environment over 60 degree.
- Always mount this unit in safe and stable matter.
- Install or dismantle should be operated by professional engineer.
- Using lamp , the change rate of power voltage should be within $\pm 10\%$. If the voltage is too high, it will shorten the light's life; if it's not enough, will influence the effect.
- Please restart it 20 minutes later after turning off the light, until full-cooling. Frequent switching will reduce the life span of lamps and bulbs; intermittent using will improve the life of bulbs and lights.
- In order to make sure the product is used correctly, please read the Manual carefully.

1.4 Product Instruction

- Lamp: ROCCER 450W (WITH OSRAM BURNER)
- Channel mode: 18 DMX512 Channel
- Pan scan: 540°(16bit) Electric correction
- Tilt scan: 270° (16bit) Electric correction
- Amazing dot matrix, four tact switch, 180° turning show
- Color wheel: 14colors + white, and seven color effect;
- Gobo wheel: 14 gobos(8 fixed gobos + 5 glass gobos + white);
- Effect Wheel: 6 independent prisms,8 prism/T prism/6+12 prism/16 prism/T prism/8+16+24prism,Can combine 17 kinds of prism effects;
- 0-100% mechanical dimming, mechanical dimming and free dimming available.
- Strobe macro control available;
- Lens optical system alchemical force , beam angle 0~4°;

- Over-heat protection
- Power Input: 100-240V, 50/60Hz
- Power Dissipation: 500W
- IP level :IP20
- Magnetic ballast and AC/Dc power supply
- Product Size: 313×260×573mm
- Packing Size: 480 x 440 x 725
- Net weight: 19.5KG

1.5 Cable connection (DMX)

Use a cable conforming to specifications EIA RS-485: 2-pole twisted, shielded, 120Ohm characteristic impedance, 22-24 AWG, low capacity. Do not use microphone cable or other cable with characteristics differing from those specified. The end connections must be made using XLR type 3 or 5-pin male/female connectors. A terminating plug must be inserted into the last projector with a resistance of 120Ohm (minimum 1/4 W) between terminals 2 and 3.

IMPORTANT: The wires must not make contact with each other or with the metal casing of the connectors. The casing itself must be connected to the shield braid and to pin 1 of the connectors.

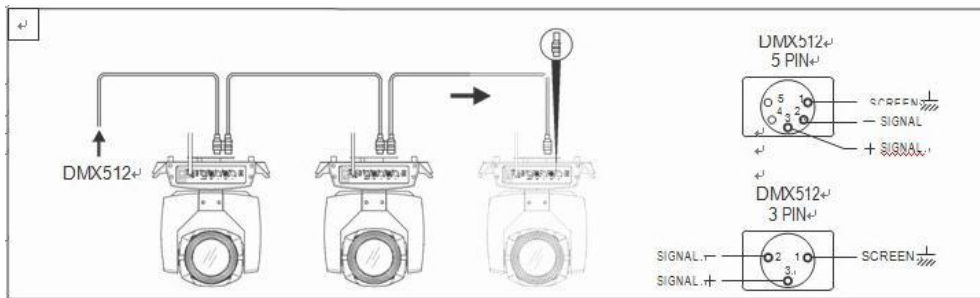


Figure 1 DMX Cable connection

1.6 Rigging (Optional)

This equipment can be positioned and fixed by clamp in every direction of the stage. Locking system makes it easy to fasten to the bracket.

Attention! Two clamps are needed to fix the equipment. Every clamp is locked by fastener of 1/4 kind. Fastener can only be locked clockwise.

Attention! Fasten a safety string to the additional hole of side aluminum piece. The secondary accessory could not hang on the delivery handle. Nip the equipment on bracket.

- Check if rigging clamp (not including the one inside) damaged or not? If stand ten times weight as the equipment. Make sure the architecture can stand ten times weight as all the equipment, clamps, wirings and other additional fixtures.
- Screws for clamping must be fixed firmly. Take one M12 screw (Grade 8.8 or higher) to clamp bracket, and then screw the nuts.
- Level the two hanging points at the bottom of clamp. Insert fastener to the bottom, lock the two levers by 1/4 rotating clockwise; then install another clamp.

- Install on safety string which stands at least ten times weight as equipment. Terminal of the accessory is designed for clamps.
- Make sure pan/tilt lock unlocked or not. Keep the distance more than 1M from equipment to flammable material or lighting source.

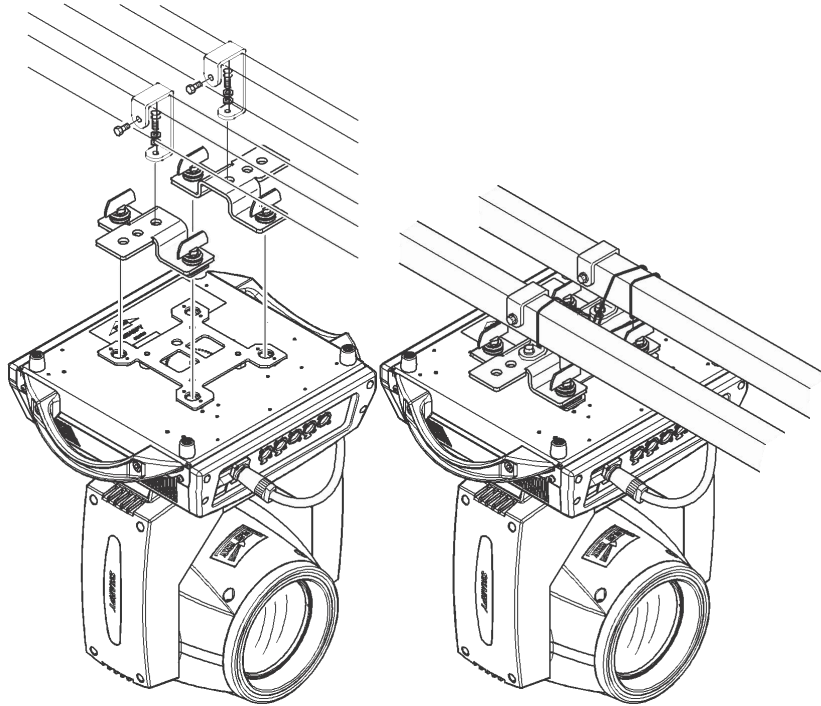


Figure 2 Installation

Chapter 3 Channel description

3.1 Channel table

Table 1 Channel brief

CH1	PAN	0-255	0-540°
CH2	PAN 16bit	0-255	
CH3	TILT	0-255	0-270°
CH4	TILT 16bit	0-255	
CH5	XY Speed	0-255	Fast to slow
CH6	Dimmer	0-255	0-100%
CH7	Strobe	0-3	Dark
		4-103	Slow strobe to fast strobe
		104-107	White
		108-207	Slow strobe to fast strobe(mode 2)
		208-212	White
		213-251	Free strobe
		252-255	White
CH8	Frost	0-127	
		128-255	Insert frost
CH9	Color	0-4	White
		5-9	White + COLOR1
		10-14	COLOR1
		15-19	COLOR1 + COLOR2
		20-24	COLOR2
		25-29	COLOR2 + COLOR3
		30-34	COLOR3
		35-39	COLOR3 + COLOR4
		40-44	COLOR4
		45-49	COLOR4 + COLOR5
		50-54	COLOR5
		55-59	COLOR5 + COLOR6
		60-64	COLOR6
		65-69	COLOR6 + COLOR7
		70-74	COLOR7
		75-79	COLOR7 + COLOR8
		80-84	COLOR8
		85-89	COLOR8 + COLOR9
		90-94	COLOR9
		95-99	COLOR9 + COLOR10
100-104	COLOR10		
105-109	COLOR10 + COLOR11		
110-114	COLOR11		

		115-119	COLOR11 + COLOR12
		120-124	COLOR12
		125-129	COLOR12 + COLOR13
		130-134	COLOR13
		135-139	COLOR13 + WHITE
		140-144	COLOR14
		145-149	COLOR14 + WHITE
		150-200	Rotate forward (fast to slow)
		201-255	Rotate reverse (slow to fast)
CH10	Gobo	0-4	White
		5-9	GOB01
		10-14	GOB02
		15-19	GOB03
		20-24	GOB04
		25-29	GOB05
		30-34	GOB06
		35-39	GOB07
		40-44	GOB08
		45-49	GOB09
		50-54	GOB010
		55-59	GOB011
		60-64	GOB012
		65-69	GOB013
		70-128	Rotate forward (fast to slow)
		129-131	Stop
		132-190	Rotate reverse (slow to fast)
		191-195	Shake slow to fast GOB01
		196-200	Shake slow to fast GOB02
		201-205	Shake slow to fast GOB03
		206-210	Shake slow to fast GOB04
		211-215	Shake slow to fast GOB05
		216-220	Shake slow to fast GOB06
		221-225	Shake slow to fast GOB07
		226-230	Shake slow to fast GOB08
231-235	Shake slow to fast GOB09		
236-240	Shake slow to fast GOB010		
241-245	Shake slow to fast GOB011		
246-250	Shake slow to fast GOB012		
251-255	Shake slow to fast GOB013		
CH11	7 Colorful	0-127	None
		128-255	Insert 7 colorful
CH12	Prism1	0-127	None
		128-255	Prism1

CH13	Prism1 Rot	0-127	0-400 degrees
		128-187	Rotate forward (fast to slow)
		188-195	Stop
		196-255	Rotate reverse (slow to fast)
CH14	Prism2	0-127	None
		128-255	Prism2
CH15	Prism2 Rot	0-127	0-400 degrees
		128-187	Rotate forward (fast to slow)
		188-195	Stop
		196-255	Rotate reverse (slow to fast)
CH16	Focus	0-255	From far to near
CH17	Lamp	100-105	Close lamp over 3 seconds
		200-205	Open lamp over 3 seconds
CH18	Reset	210-215	Reset over 3 seconds
		220-235	Close lamp over 3 seconds
		240-255	Open lamp over 3 seconds