

## **JT-D550BSW (CMY)**

### **TECHNICAL DATA**

#### **ELECTRIC PARAMETERS**

Input voltage : 120V~240VAC, 50/60Hz

Input power : 700W @ 220V

Current at Maximum: 4.5A @ 120V

Power factor: PF>0.9

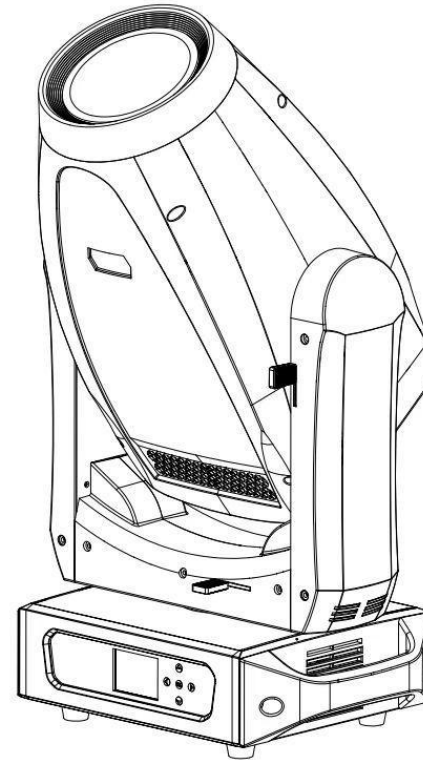
#### **THE SPECIFICATIONS OF THE LIGHT SOURCE**

LED : 550W White LED Engine

Color temperature : 7800K±200K

CRI : >72 (Standard)

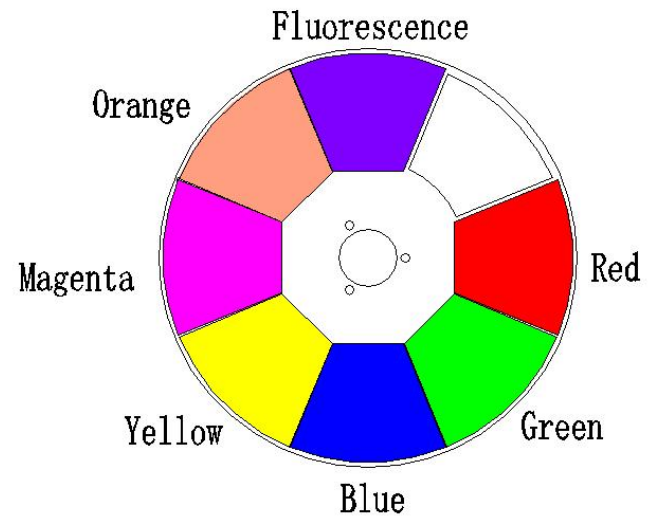
CRI : >90 (Optional)



## COLORS

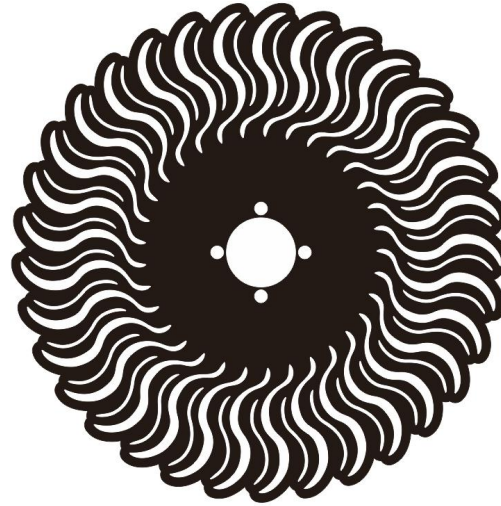
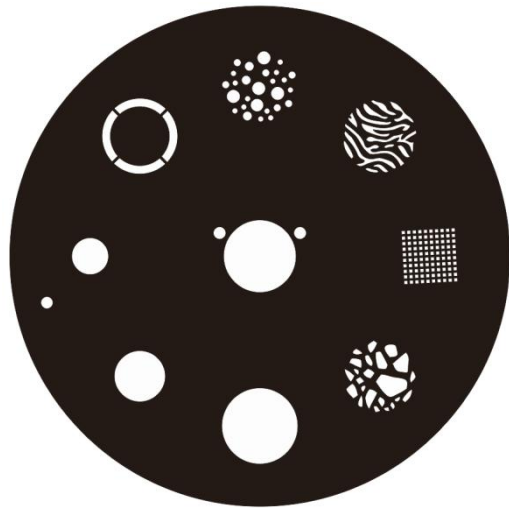
1color wheel: 7colors + Open

CMY+CTO



1 fixed gobo wheel: 6gobos+open, gobo diameter=6.5mm, its thickness=0.5mm

1 fire effect wheel



**ROTATING GOBO WHEEL**

**1 rotating gobo wheel: 7 gobos + open Gobo diameter  $\Phi$ 19.5mm, 4mm thick**

1	2	3	4	5	6	7

**PRISM/FROST**

1 4-facet prism  
1 Frost

**FOCUS**

DMX linear focus

**DIMMER /STROBE**

Strobe at variable speeds  
0-100% linear dimmer

**HEAD MOVEMENT**

Pan 540°, Tilt 270° with 16 bit control

**BEAMANGLE**

Beam: 5°~ 45°  
Spot :11°~46°  
Wash: 8°~ 48°

**CONTROL**

Projector and lamp information readable, external DMX value received and thermal sensor built-in for error and malfunction analysis Preset memory  
Unintentional head move to cause power-off, quiet fans for cooling  
International standard DMX 512 protocol, 5-pin interface 22channels in short mode and 27channels in standard mode

**OPTIONAL WIRELESS CONTROL MODULE/RDM MODULE**

Compliant with USITT DMX-512 (1986 and 1990) and 512-A Full DMX for fidelity and DMX framing integrity Auto-detecting DMX framing size and speed < 5ms DMX delay

**HOUSING**

High temperature ABS and aluminum , IP20

**OPERATION TEMPERATURE**

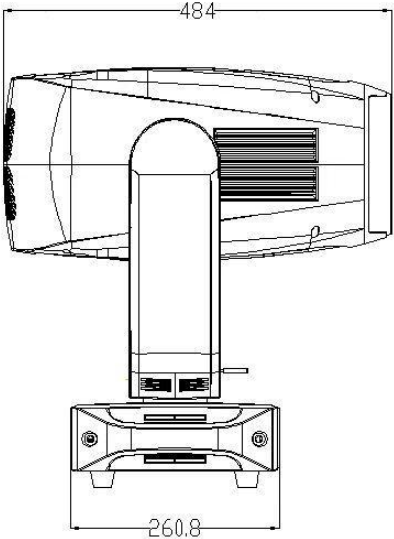
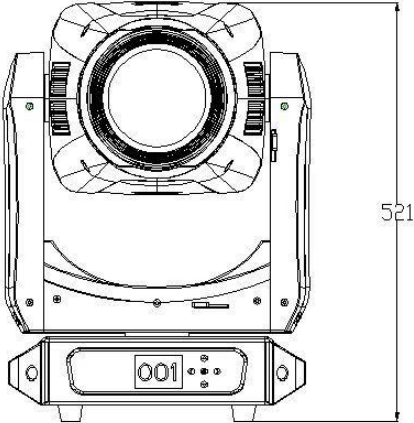
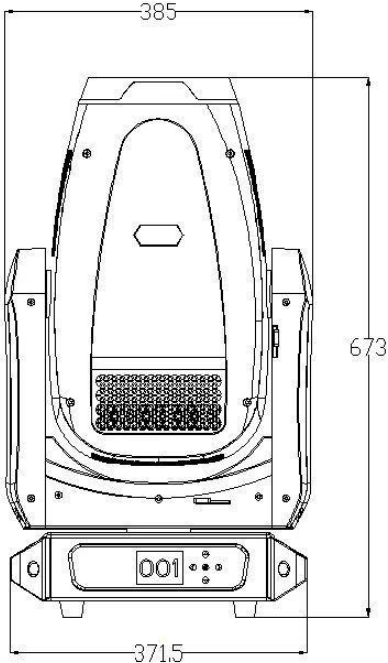
Ambient temperature at maximum: 45°C

Ambient temperature at minimum: -5°C

**NET WEIGHT:**

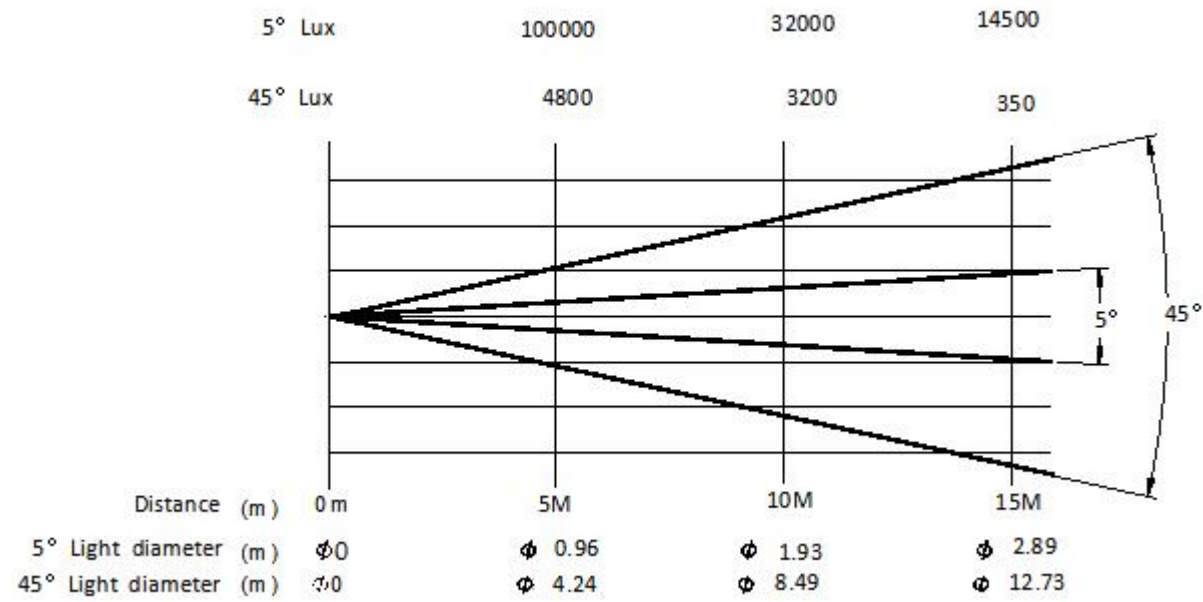
21.5Kg

**SIZES:**

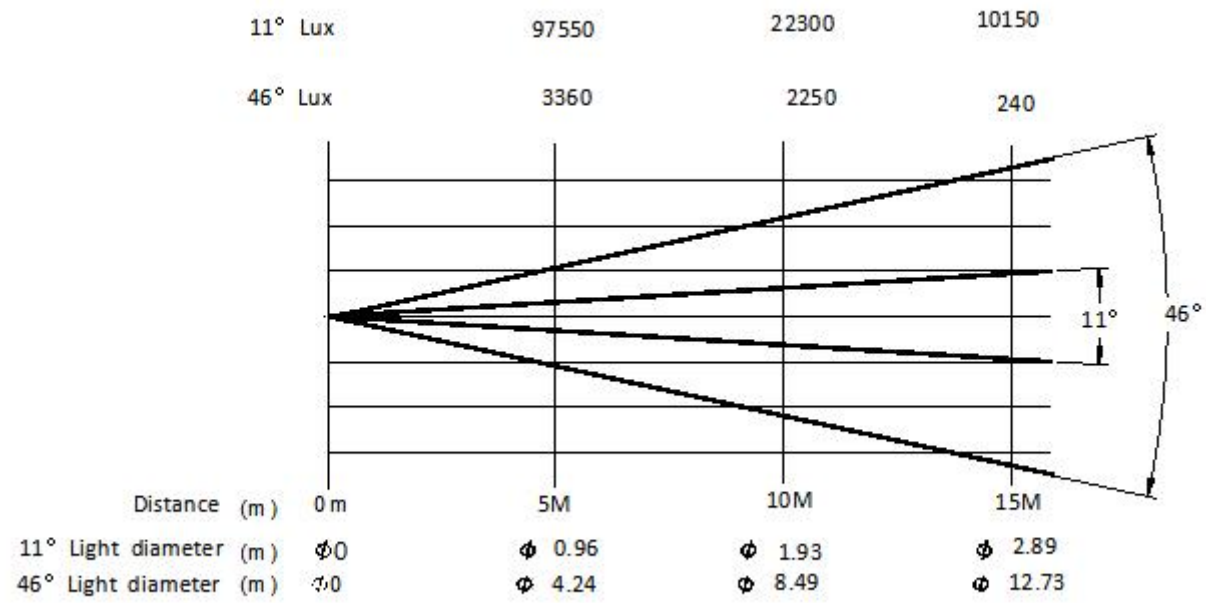


**LIGHT OUTPUT**

## Beam Mode



## Spot Mode



## Wash Mode

